



Oil-Free  
Laboratory Diaphragm Pump

# Capex 8C



Capex 8C pump

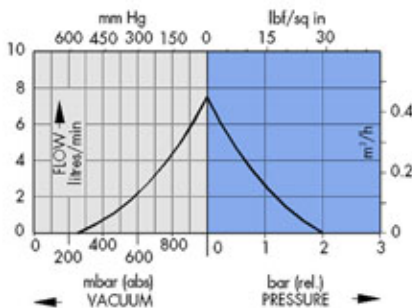


Capex 8C shown with needle valve, vacuum gauge and separator kit



Capex 8C pump Cased model

**Capex 8C**



Max Flow	8.0 l/min
Max Vacuum	240 mbar (abs)
Max Pressure	2.0 bar

**Contamination free pumping**

The Capex 8C vacuum pump/compressor provides a clean oil free vacuum and pressure source ideal for laboratory benchtop use. Combining the benefits of well proven engineering in a sleek durable alloy casing, the Capex 8C represents the latest standard in multi-purpose laboratory vacuum and pressure pumps.

**Exceptional Laboratory Pump**

Designed for benchtop use conforming to the IEC 1010 electrical safety standard the Capex 8C is lightweight, portable and quiet running. Featuring a tough alloy case with fold flat carry handle and unique t-slot rails for quick easy mounting of retrofit attachments such as collection flasks and vapour traps (see laboratory brochure). An optional needle valve allows the user full control over the vacuum and pressure level and vacuum/pressure gauge(s) can be added to monitor the performance (specify when ordering).

**Proven reliability and long life**

Rated for continuous duty the Capex 8C is whisper quiet and ruggedly reliable. Offering exceptionally low cost of ownership with over 10,000 hours between service intervals Capex 8C pumps have the longest running life in their class.

**Corrosion resistant options**

The Capex 8C can be upgraded with a range of optional material components providing resistance to a wide range of corrosive gases and vapours (see chart on reverse or contact our technical sales).

**Application ideas**

Application ideas include waterjet replacement, microbiology experiments, aspiration, filtration and beauty therapy.



# Capex 8C

## Motor Type:

IP20, shaded pole with shielded ball races throughout. 1400 RPM @ 50Hz  
 Thermal Protection 120°C  
 Maximum ambient 40°C

model no.	110/115V 50/60Hz			230V 50Hz		
	operating current	max. load	fuse rating	operating current	max. load	fuse rating
Capex 8C	0.5A	0.6A	2.0A	220mA	0.3A	1.0A

## Connectors:

Plain, horizontal, Nylon 8.0mm OD  
 Optional: horizontal - Polypropylene 8.0mm OD

## Performance:

model no.	max. free flow l/min	max. vacuum mbar (abs)	max. pressure bar
Capex 8C	8.0	240	2.0

## Integral filters & silencers:

Filter: 100 micron, cleanable  
 Silencer: Minimises noise and smoothes flow pulsation

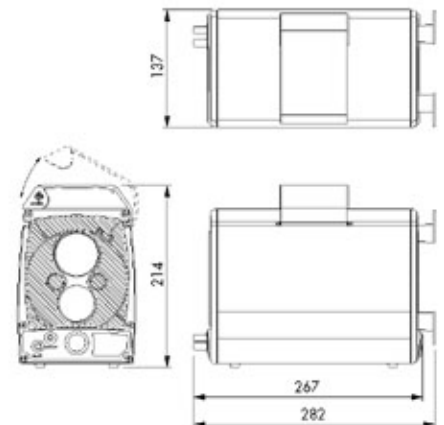
**Capex 8C** 3.75kg

dimensions: mm

## Pump Materials:

With the option of appropriate materials for the head and flexibles, Capex 8C pumps will handle a wide range of corrosive gases.

component	standard	options
Head	Nylon	Polypropylene
Diaphragm/Valves	EPDM/Nitrile	PTFE, Viton
Connectors	Nylon	Polypropylene
'O' Rings	Nitrile	PTFE, Viton



distributed by:

Please note that it is important that you ensure the motor specification stated and the range of materials offered in the pump are compatible with the performance, environmental limitations and chemical resistance of the application.

For further information or details of our extensive range of diaphragm pumps, contact our technical sales office who will be pleased to help you select the most suitable pump for your application.

S30-233/1